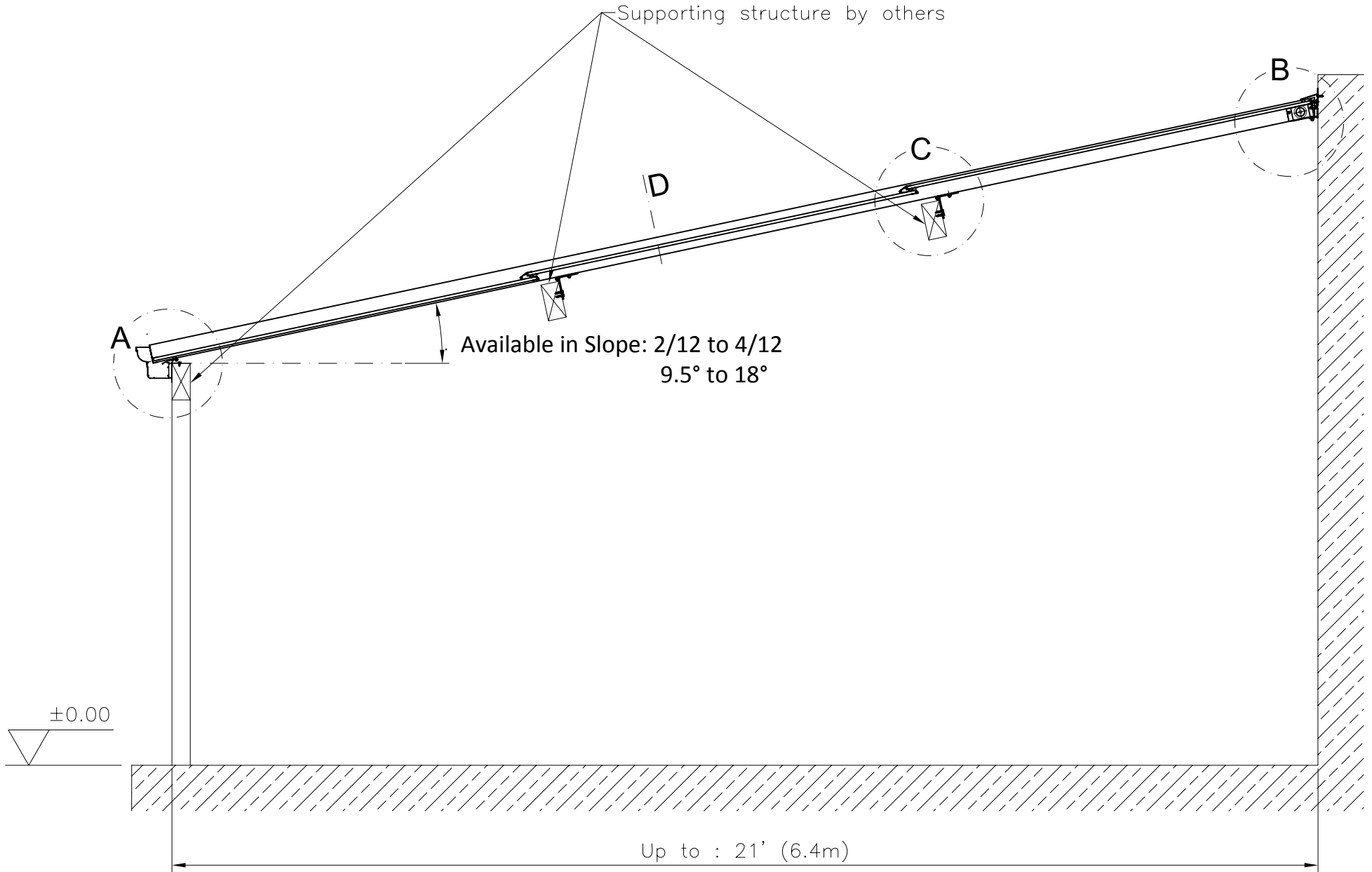


# Retractable Roofing RRP16x or RRG (Glass)

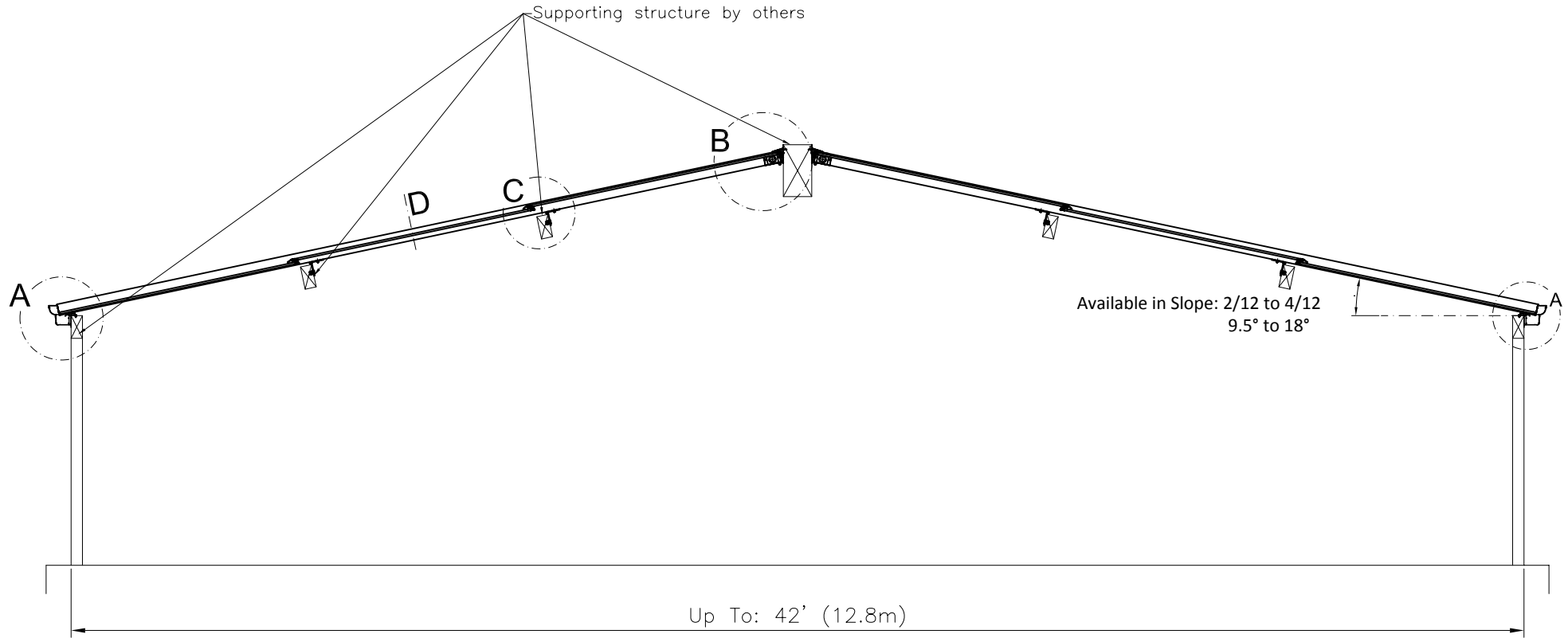


**SINGLE PITCH (FOR LARGER PROJECTS CONTACT US)**

**LIBART**  
ENCLOSURE SYSTEMS  
PHONE: 1-866-542 27 82  
www.libart.com

PROJECT REFERENCE	RRP / G -M 66-000	DWG	001	REV	01	CUSTOMER	LIBART
TITLE	RRP/RRG STANDART DETAIL	DATE				PROJECT NAME	RRP/RRG
DRAWING BY						CONFIRMED BY	
CONTROLLED BY						CONFIRMATION DATE	

# Retractable Roofing RRP16x or RRG (Glass)



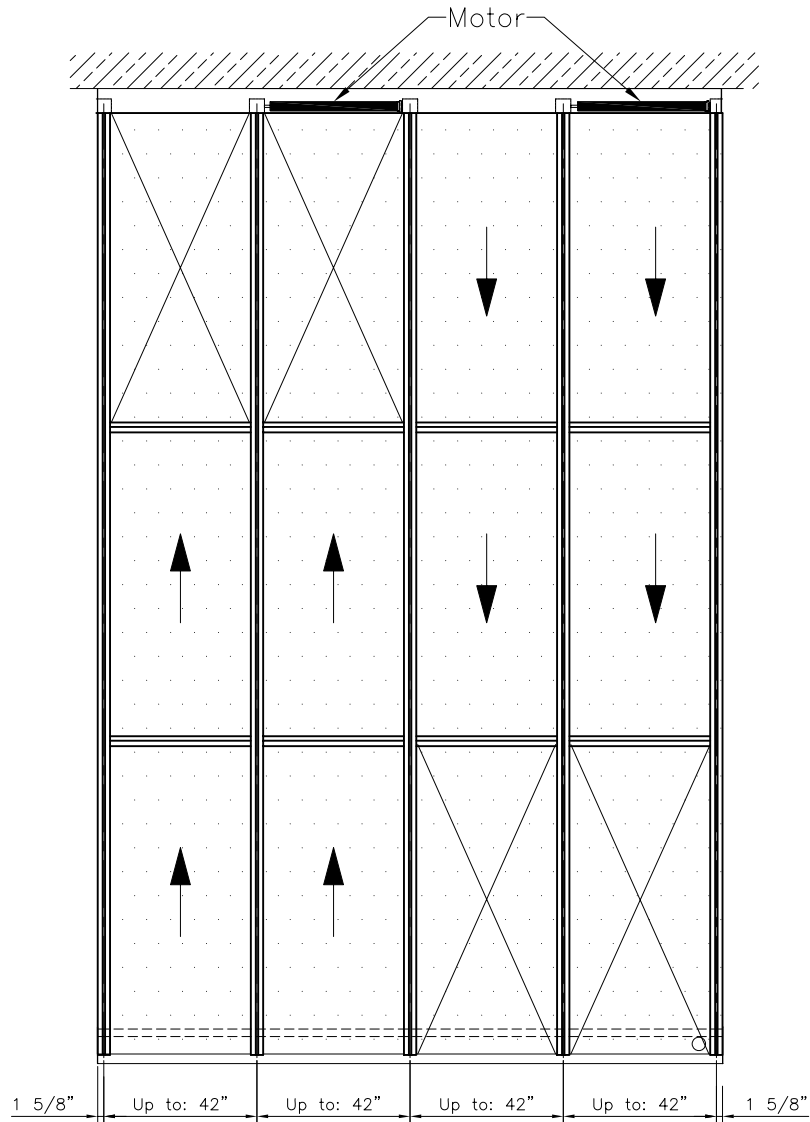
**DUBLE PITCH (FOR LARGER PROJECTS CONTACT US)**



LIBART  
ENCLOSURE SYSTEMS  
PHONE: 1-866-542 27 82  
www.libart.com

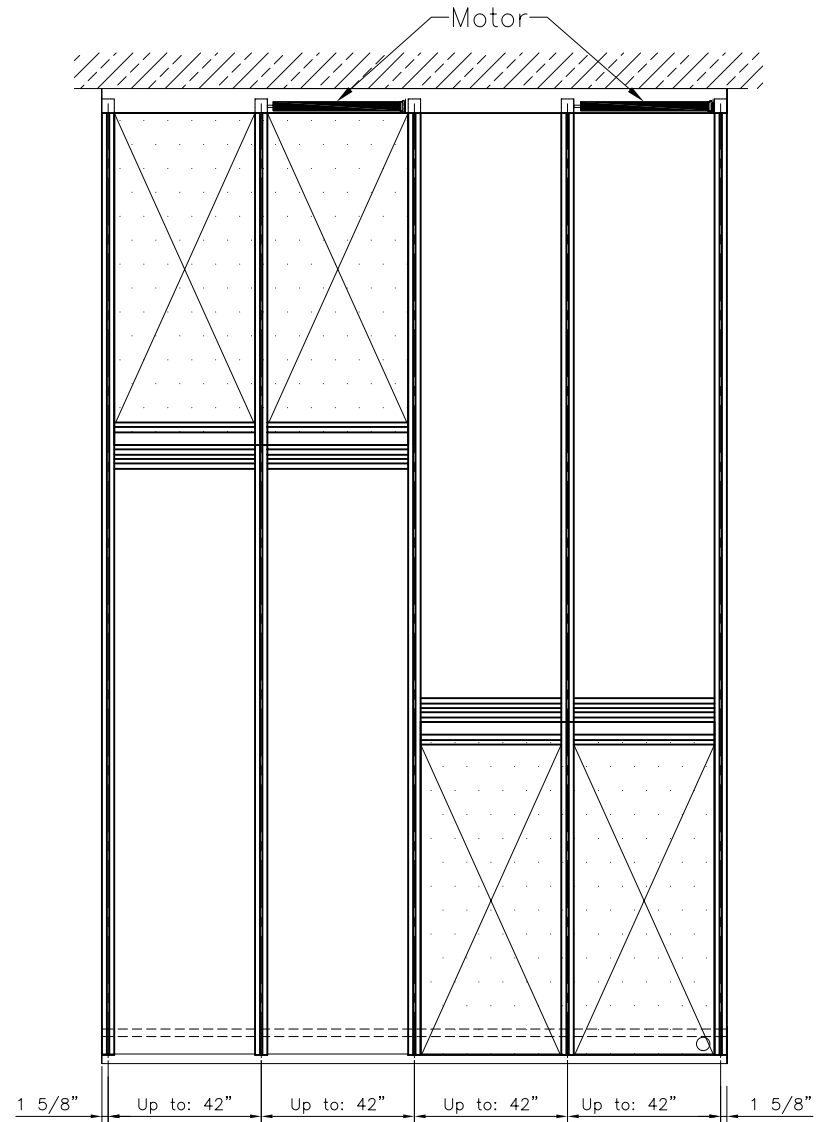
PROJECT REFERENCE		DWG	002	REV	000	CUSTOMER	LIBART
TITLE	RRP/RRG STANDART DETAIL	DATE				PROJECT NAME	RRP/RRG
DRAWING BY						CONFIRMED BY	
CONTROLLED BY						CONFIRMATION DATE	

# Retractable Roofing RRP16x or RRG (Glass)



Closed Option-1

Closed Option-2



Opened Option-1

Opened Option-2

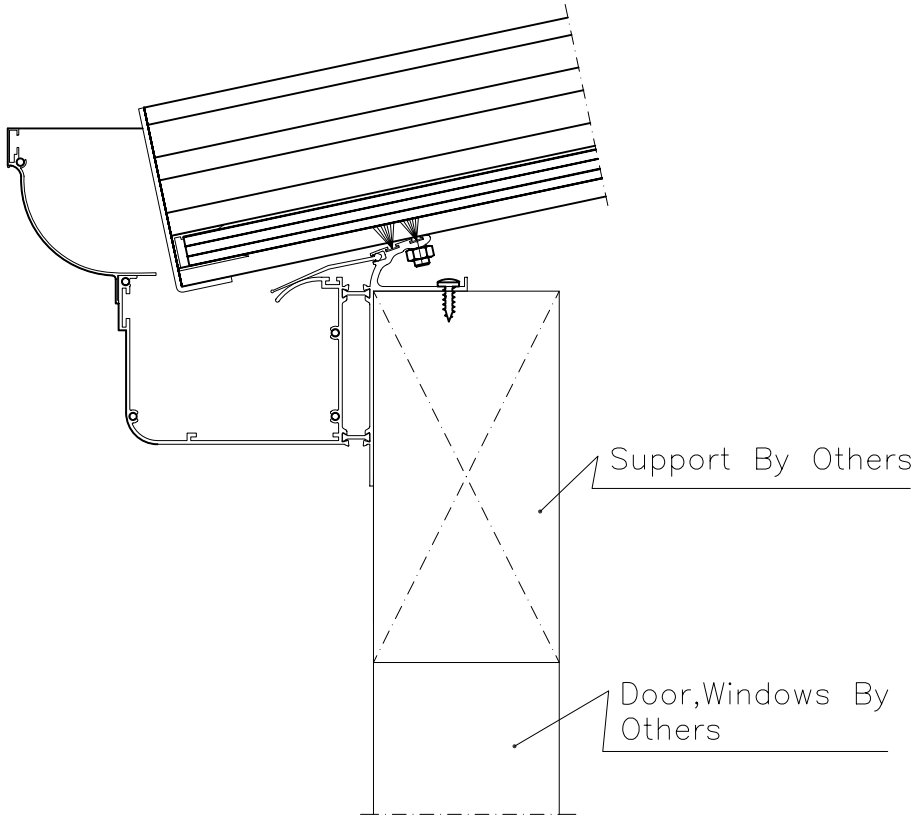
## Motorized Operation



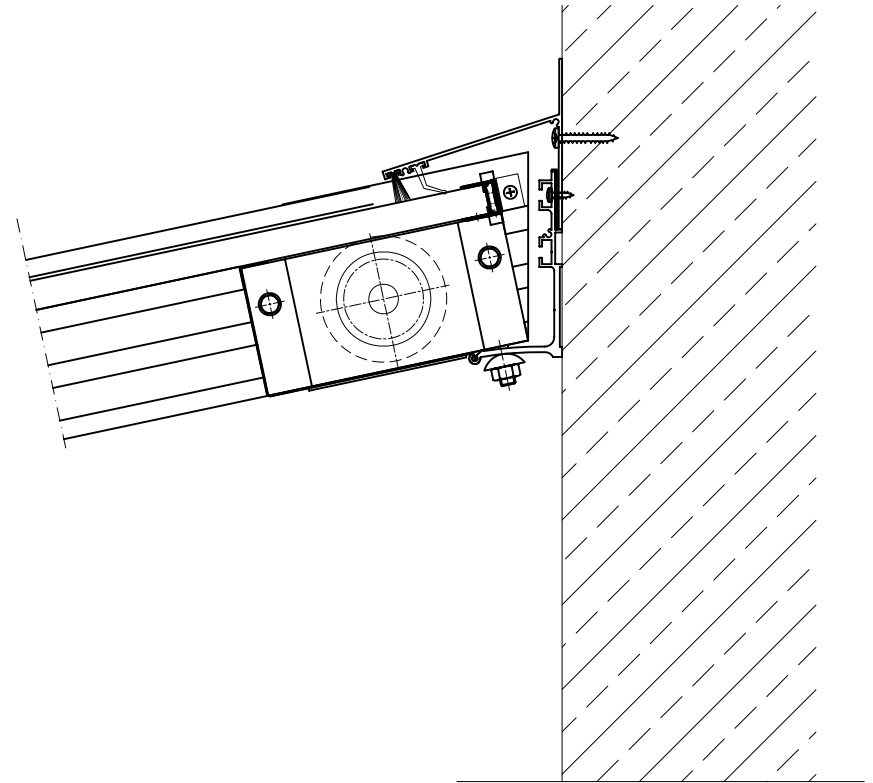
PHONE: 1-866-542 27 82  
www.libart.com

PROJECT REFERANCE	DWG	003	REV	000	CUSTOMER	LIBART
TITLE	RRP/RRG STANDART DETAIL			DATE	PROJECT NAME	RRP/RRG
DRAWING BY					CONFIRMED BY	
CONTROLLED BY					CONFIRMATION DATE	

# DETAIL A



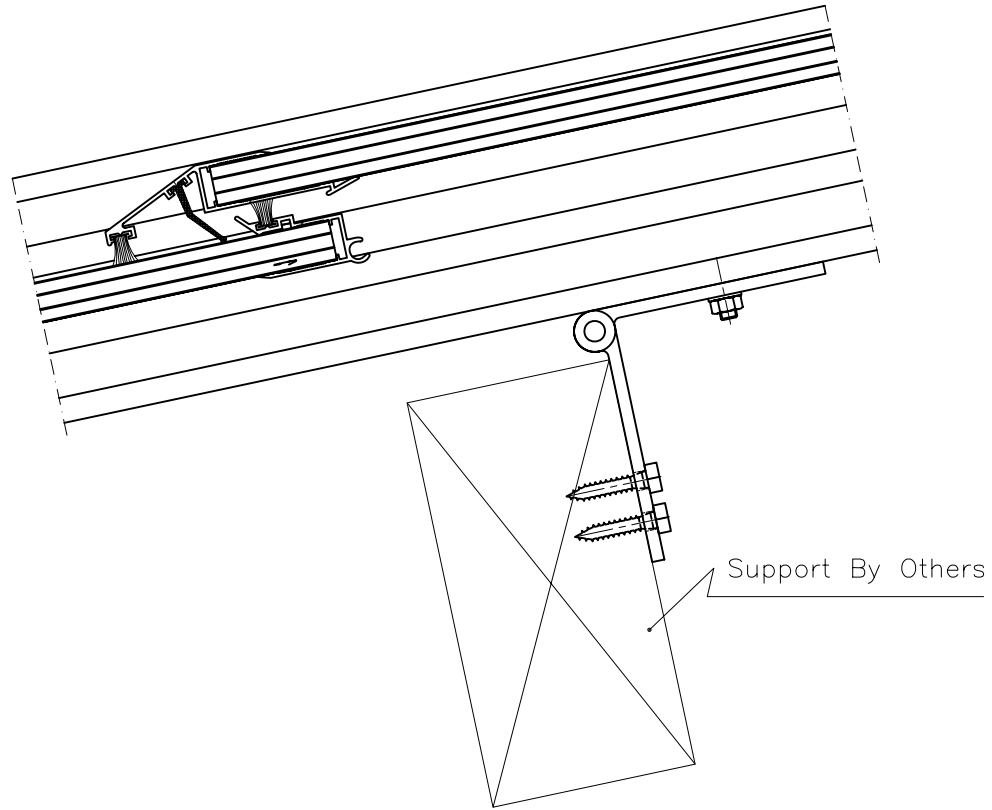
# DETAIL B



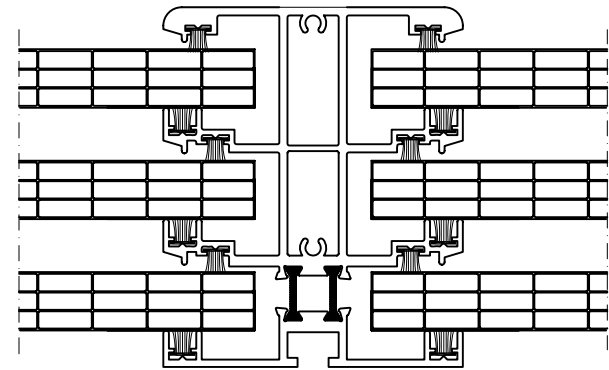

PHONE: 1-866-542 27 82  
www.libart.com

PROJECT REFERENCE		DWG	004	REV	000	CUSTOMER	LIBART
TITLE	DETAILS A-B	DATE				PROJECT NAME	RRP/RRG
DRAWING BY						CONFIRMED BY	
CONTROLLED BY						CONFIRMATION DATE	

# DETAIL C



# DETAIL D



PROJECT REFERENCE		DWG	005	REV	000	CUSTOMER	LIBART
TITLE	DETAILS C-D	DATE				PROJECT NAME	RRP/RRG
DRAWING BY						CONFIRMED BY	
CONTROLLED BY						CONFIRMATION DATE	