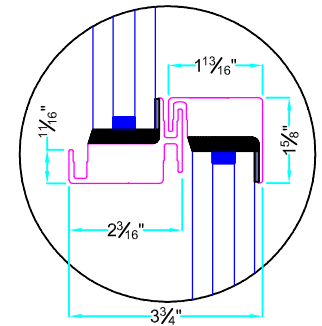
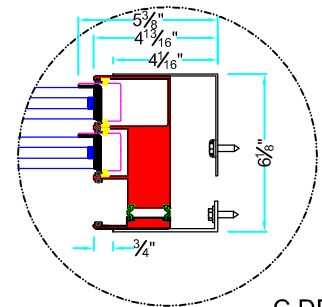


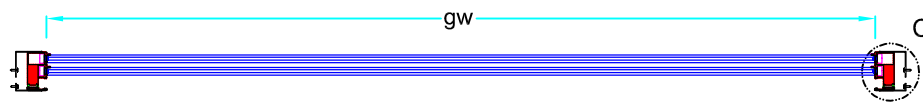
A DETAIL



B DETAIL



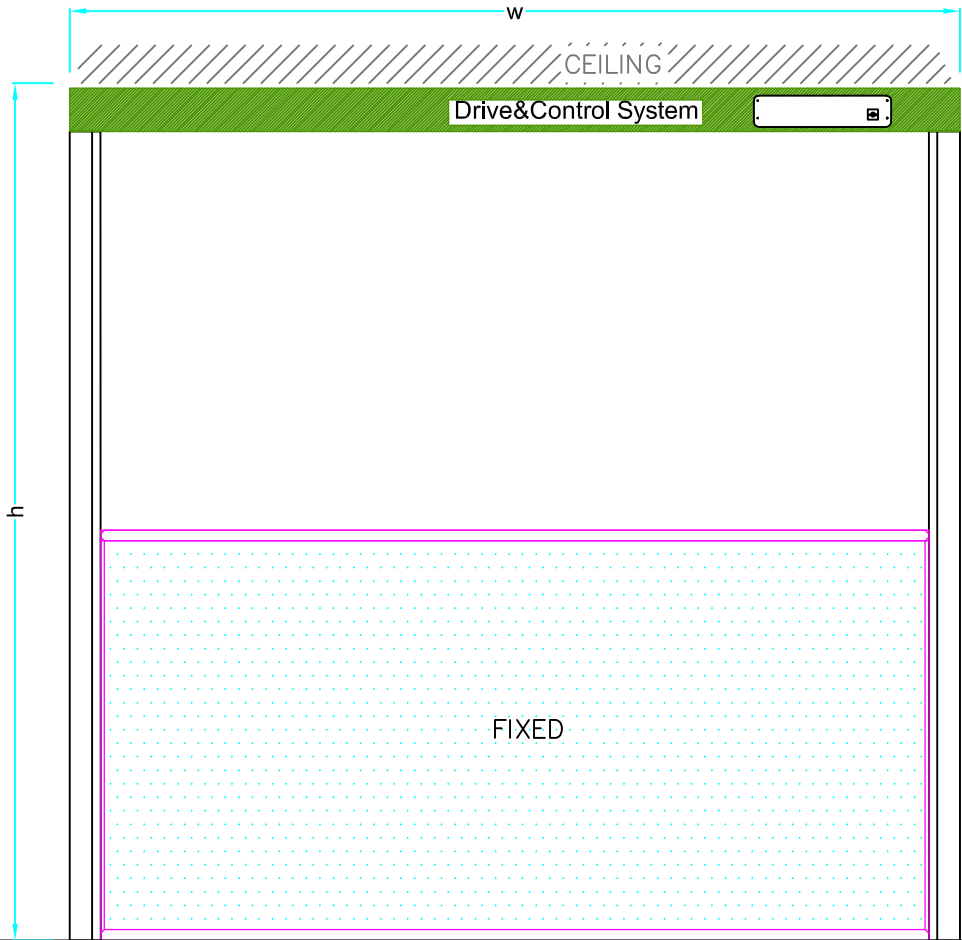
C DETAIL



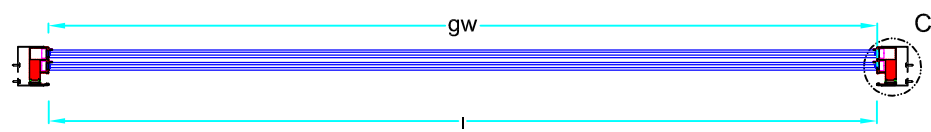
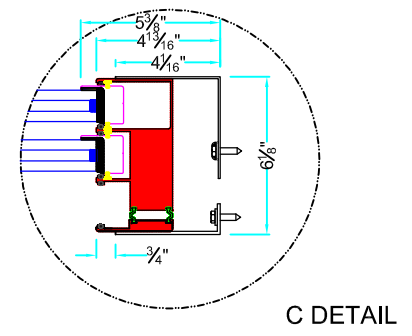
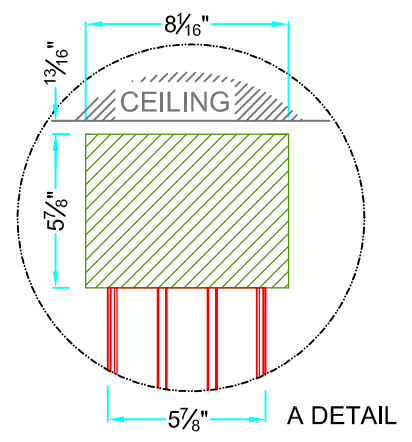
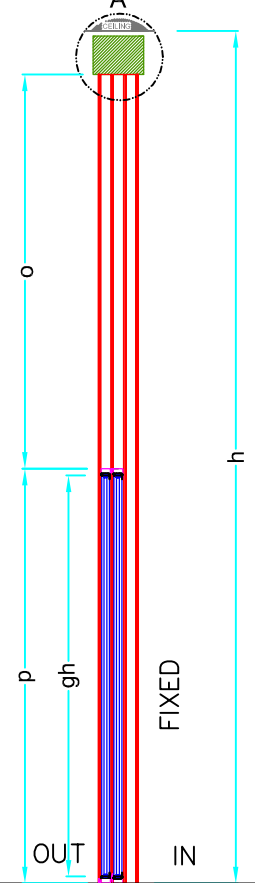
Specifications, designs, technical information, prices or similar intellectual property contained in these drawings are the exclusive property of Libart. This information, whole or part cannot be used, copied, shared or reproduced without written permission from Libart.



PROJECT REFERENCE	GUD-W2	DWG	01	REV	00	CUSTOMER
TITLE	PLAN-SECTION-FRONT VIEW	DATE	07.03.2016		PROJECT NAME	GU-W2-SYSTEM CLOSED	
DRAWING BY	ALP ARMAGAN SARI				CONFIRMED BY		
CONTROLLED BY	CEM COMU				CONFIRMATION DATE		



SECTION A



Specifications, designs, technical information, prices or similar intellectual property contained in these drawings are the exclusive property of Libart. This information, whole or part cannot be used, copied, shared or reproduced without written permission from Libart.

LIBART
MOTION IN ARCHITECTURE
T. +90 212 879 02 65 LIBART.COM

PROJECT REFERENCE	GUD-W2	DWG	02	REV	00	CUSTOMER
TITLE	PLAN-SECTION-FRONT VIEW	DATE	07.03.2016		PROJECT NAME	GU-W2-SYSTEM OPEN	
DRAWING BY	ALP ARMAGAN SARI				CONFIRMED BY		
CONTROLLED BY	CEM COMU				CONFIRMATION DATE		